

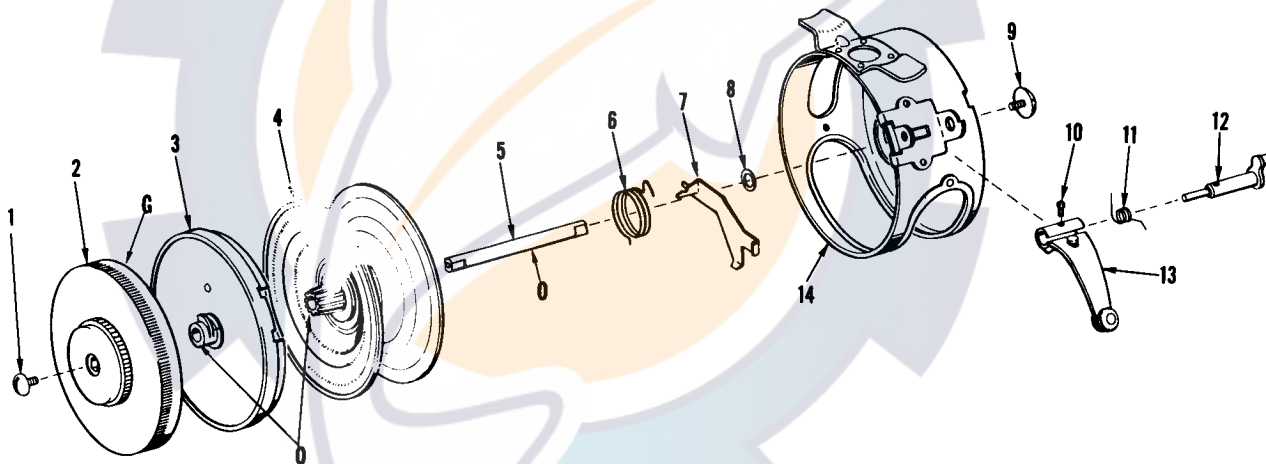


GLADDING
South Bend Tackle Co., Inc.
 Division of **GLADDING** Corporation

1140

3-42-1140

AUTOMATIC REEL



G-GREASE
 O-OIL

Detail No.	Part Name	Part No.	Price
1	Upper Staff Screw	AT1-AA19	.25
2	Drive Spring Cap Assembly	AT2-AD5	1.50
3	Gear Plate Assembly	AT4-AB7	.85
4	Spool Assembly	AT7-AE17	1.55
5	Staff	AT9-AH18	.40
6	Brake Coil Spring	AT10-A1	.20
7	Brake Slide	AT12	.25
8	Shim Washer	AT13	.10
9	Lower Staff Screw	AT14	.30
10	Brake Lever Screw	AT15	.10
11	Brake Lever Spring	AT16	.15
12	Brake Lever Shaft	AT18	.40
13	Brake Lever Assembly	AT19-A2	.70
14	Frame Assembly	AT23-AF6	3.98